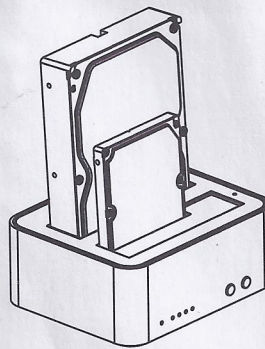


User Manual

Clonedock DOC-232

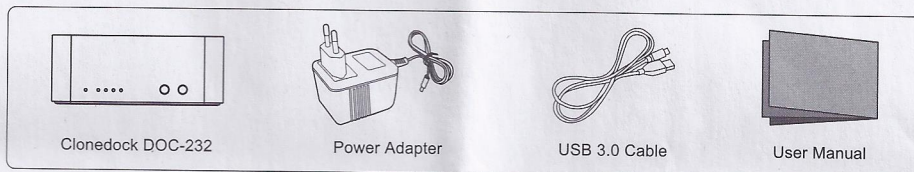
2.5"/3.5" SATA to USB 3.0 with PC-less clone



Getting Started

Thank you for purchasing Astone product. This user manual provides step-by-step installation instructions and other important information regarding your product. For the latest product information and news, please visit our Web Site at www.astone.com.au

► Package Contents



System Requirements

Hardware

Pentium[®] II, 200 MHz equivalent or newer for IBM compatible PC

PowerPC G4, 350 MHz or newer for PowerPC-based Apple Computer Core[®] or newer for Intel-based Apple Computer

Software

Windows 2000 / 2003 / XP / Vista / 7

Mac[®] OS X v.10.2+

Note: For highest performance and reliability, we recommends that you install the latest service pack (SP) and updates.

► Updating Your Operating System

Windows

Go to the Start menu and select Windows updates. For more information regarding updating your system, visit <http://windowsupdate.microsoft.com>.

Macintosh

Go to the Apple menu and select Software Update. For more information regarding updating your system, visit <http://www.apple.com/macosx>.

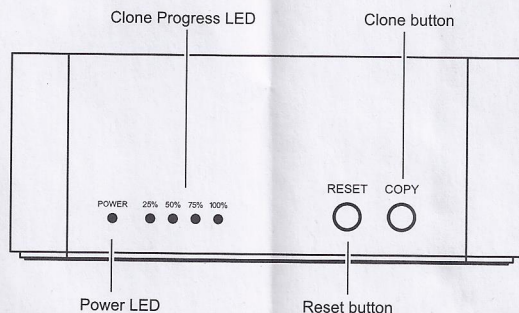
► Handling Precautions

Astone products are precision instruments and must be handLED with care during unpacking and installation. Drives may be damaged by rough handling, shock, or vibration. Be aware of the following precautions when unpacking your Astone external storage kit:

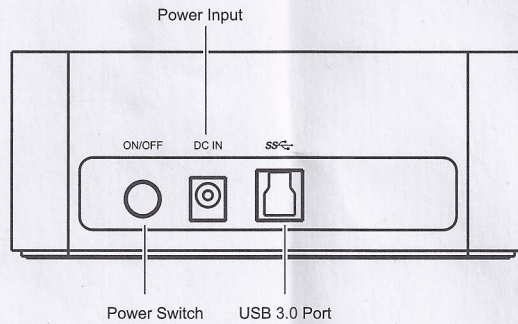
- Do not unpack the product until you are ready to install it.
- Do not drop or jolt the product.
- Do not move the external storage when it is powered up.

► Astone | Clonedock DOC-232 View

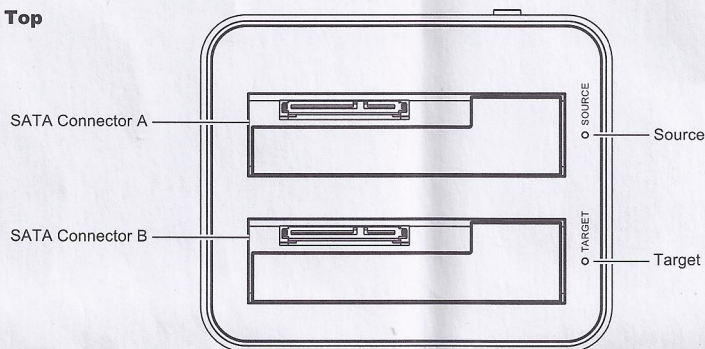
① Front



② Back

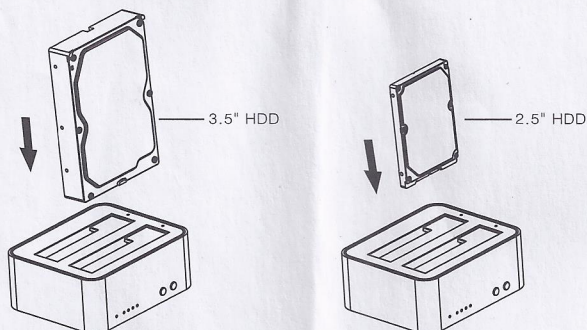


③ Top



► Hard Disk Drive Installation

You will need a 2.5-Inch or 3.5-Inch SATA Hard Disk Drive. Carefully follow the procedure to install the Hard Disk Drive into the docking station.



1. Insert 2.5-Inch or 3.5-Inch HDD into docking station of SATA connector.
2. Connect USB cable between computer and docking station.
3. Connect power adapter between DC Jack Port and power outlet.
4. Push power switch button to ON position.
5. OS should install docking station automatically.
6. Wait until OS completes all installations before usage.

Note:

- a. Some SATA controllers do not support Plug & Play (mostly due to incorrect driver implementations). In this case should only be connected to or disconnected from the computer while the computer is off. Otherwise a system crash or data loss can be caused.
- b. A new HDD must first be initialized, partitioned and formatted by the operation system to be displayed by the system.

Features

- (1) Directly duplicate SSD or HDD
- (2) Install up to two 2.5" or 3.5" SSD or HDD
- (3) USB3.0. Supports both High Speed USB 2.0 and SuperSpeed USB 3.0
- (4) Dual Bay Slot Capacity, Hot Swap Capabilities, Compatible with all PC/Linux/MAC
- (5) Independent LED indicators for duplication processes and power indicator
- (6) Computer synchronization for standby, sleep, and wake response.
- (7) Support System: Windows 2000/XP/Vista/Windows7 & Mac OS 9.0 or later.

Note:

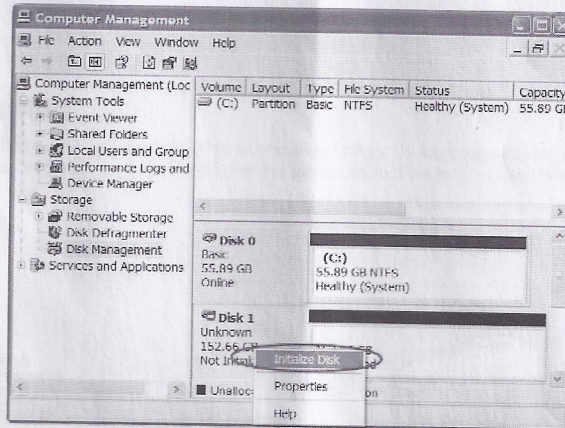
It is recommended and suggested not to remove SSD/HDD during operation, any damage caused during operation will be personal liability.

► Desktop/Notebook Docking Station Mode

- (1) Insert SSD/HDD to Slot A (Source Drive) or B (Target Drive) or both simultaneously.
- (2) Connect the device with SuperSpeed USB 3.0 Cable to any Desktop or Notebook
- (3) Connect the Power cord and turn on the device.
- (4) Go to Disk Management to format the SSD/HDD
- (5) Ensure the you properly and Safely Remove the USB Device to allow both slots to turn off
- (6) Press Reset button or re-plug the USB cable to reconnect to Computer

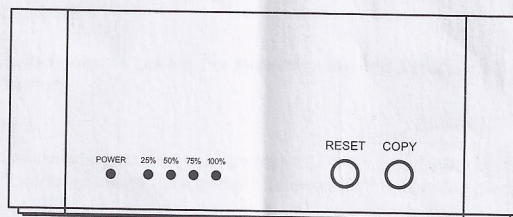
Note:

Formatting is necessary for only NEW SSD/HDD, any damage caused during operation will be personal liability.



► Clone instructions:

- (1) Before the cloning process, please remove the USB Cable from the device USB Cable
- (2) To Clone, insert the Source Drive into Slot A and Target Drive to Slot B.
- (3) Power on the device and Press the Clone Button for 4 seconds until the constant LED indicator lights are flashing from Slot A (Source Drive) for hardware preparation.
- (4) The four orange LED indicator lights will blink/flash starting from 25% to 100% in progress, once finished the LED indicator lights will stay solid orange to indicate progress completion.
- (5) When the clone process is complete the four orange LED light indicators will be completely solid orange, Slot A (Source Drive) and Slot B (Target Drive) LED's will shut off.



Clone NOTES

- (1) After the cloning process has completed, in some cases under enclosure mode the computer may not be able to identify both drives since they have the same drive letters as well. To separate the drives, you must assign either drive to a new drive letter path to be recognized.
- (2) If only inserting one drive to Slot A (Source Drive), the indicator lights will all light up and alert to insert Slot B (Target Drive) for cloning.
- (3) When cloning Slot A (Source drive) capacity must be equal to or smaller than Slot B (Target Drive) in Capacity.
- (4) During cloning process if Slot A (Source drive) is larger than Slot B (Target drive), Slot A (Source Drive) LED indicator will shut off and Slot B (Target Drive) indicator will simultaneously blink/flash meaning the operation is unable to process.
- (5) During cloning process if Slot A (Source Drive) is smaller than Slot B (Target Drive), Slot A (Source Drive) LED indicator will turn on and Slot B (Target Drive) indicator will simultaneously blink/flash meaning the operation is successful and in process.
- (6) After Cloning the Drives, if any unused or available space is on the Slot B (Target drive), you may create an additional volume for other uses.
- (7) Reset Function:
 - A. When you choose clone mode, you can press Reset button before start to cancel the task
 - B. When you finish clone task and want to connect it to PC, you need to press Reset button that the PC can recognize the new device or you will have to restart the device that the PC can recognize it from new.